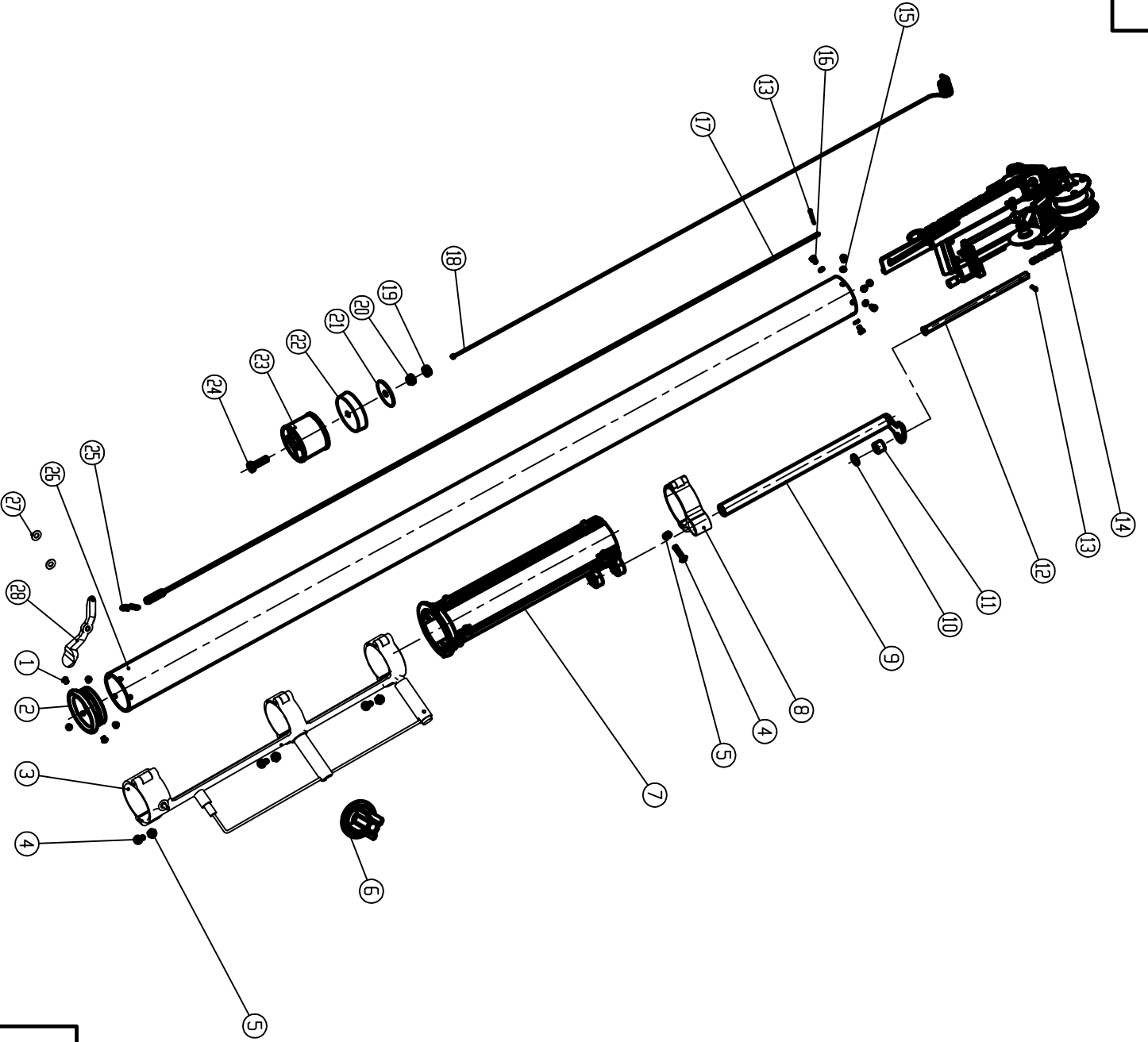


## Level 5 Taper Tube Assembly

Schematic #	Part #	Description
1	7170	6-32x3/16 Screw
2	7169	Tube Protector
3	9998	Tape Keeper Assembly
4	7235	8-32 Screw
5	8288	Lock Nut
6	7164	Tape Roll Keeper
7	7287	Control Tube Assembly
8	9999	Top Band
9	7144	Extension Arm
10	7315	Metal Washer
11	7055	Cutter Chain Stop
12	7117	Cutter Chain Tube
13	7116	Cotter Pin
14	7344	Taper Head Assembly
15	7013	#6 Lock Washer
16	7012	6-32x1/4Screw
17	7198	Creaser Strap
18	7137	Cable
19	7135	Hex Nut
20	7131	Castle Nut
21	7133	Plunger Cup Washer
22	7132	Plunger Cup
23	7130	Plunger
24	7134	Plunger Cup Bolt
25	7168	S-Hook
26	7166	Taper Tube
27	7178	Brass Washer
28	7165	Creaser Trigger



Taper Tube Assembly